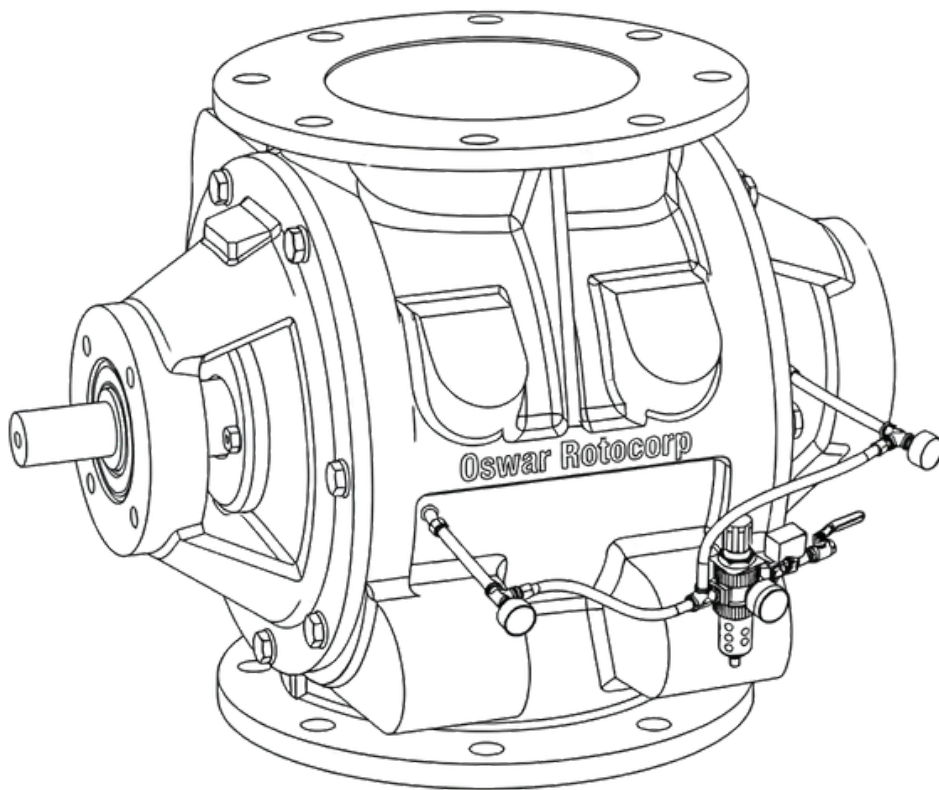


ENGINEERING HERITAGE

SINCE 1985

Built on Legacy. Driven by Innovation.



OSWAR
rotocorp

A LEGACY OF INDUSTRIAL EXCELLENCE

Since 1985, Oswar Rotocorp has been committed to engineering excellence, delivering robust rotary airlock and feeding solutions to core industries across India and global markets. What began as a focused industrial initiative has evolved into a trusted engineering name recognized for reliability, durability, and precision performance.

Over the decades, the company has continuously strengthened its technical capabilities, manufacturing infrastructure, and quality systems to meet the growing demands of heavy industries. Our journey reflects a consistent focus on innovation, disciplined production practices, and long-term industrial partnerships.

KEY FEATURES

ESTABLISHED IN
1985

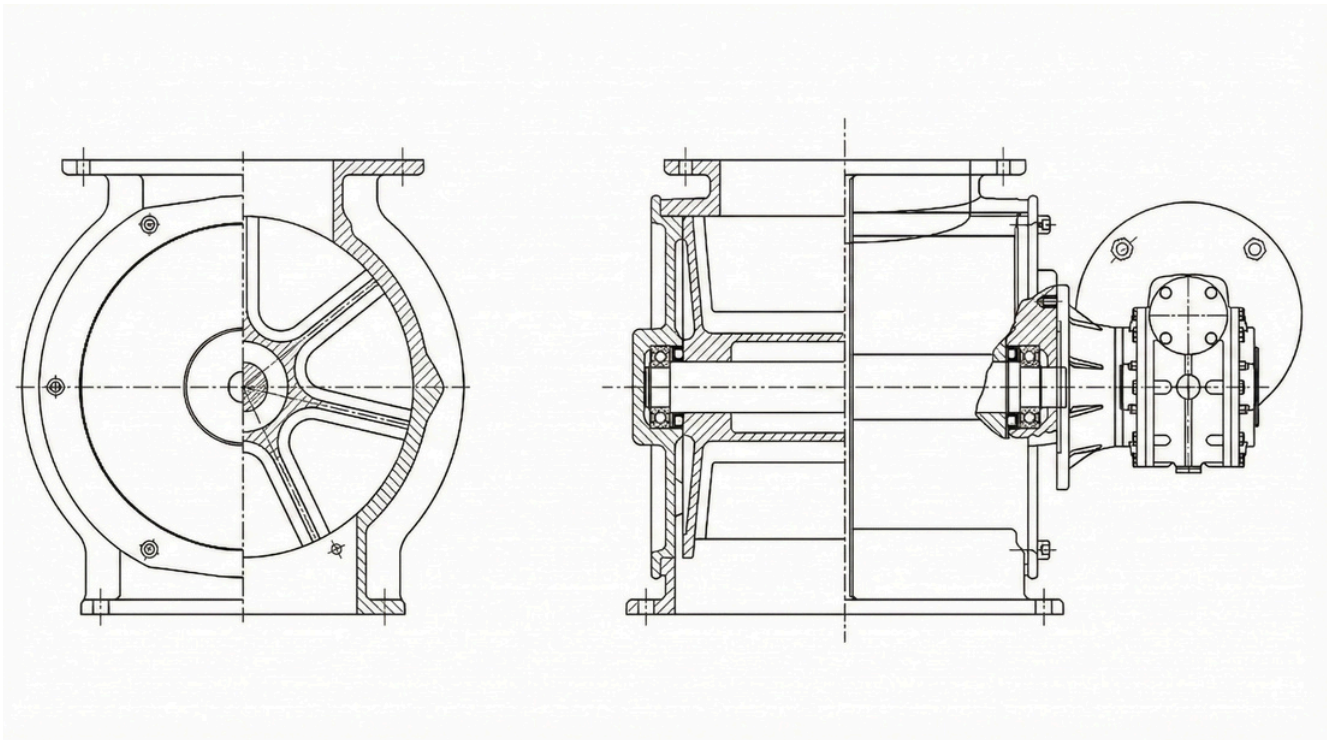
PROVEN
INDUSTRIAL
TRACK RECORD

CONTINUOUS
TECHNOLOGICAL
ADVANCEMENT

LONG-TERM
CLIENT
RELATIONSHIPS

EVOLVING ENGINEERING. ENDURING PERFORMANCE.

Each rotary airlock system is designed to operate reliably under demanding conditions, ensuring volumetric consistency, mechanical robustness, and extended service life. Through constant design optimization and material advancement, we have enhanced efficiency while reducing maintenance and operational downtime.

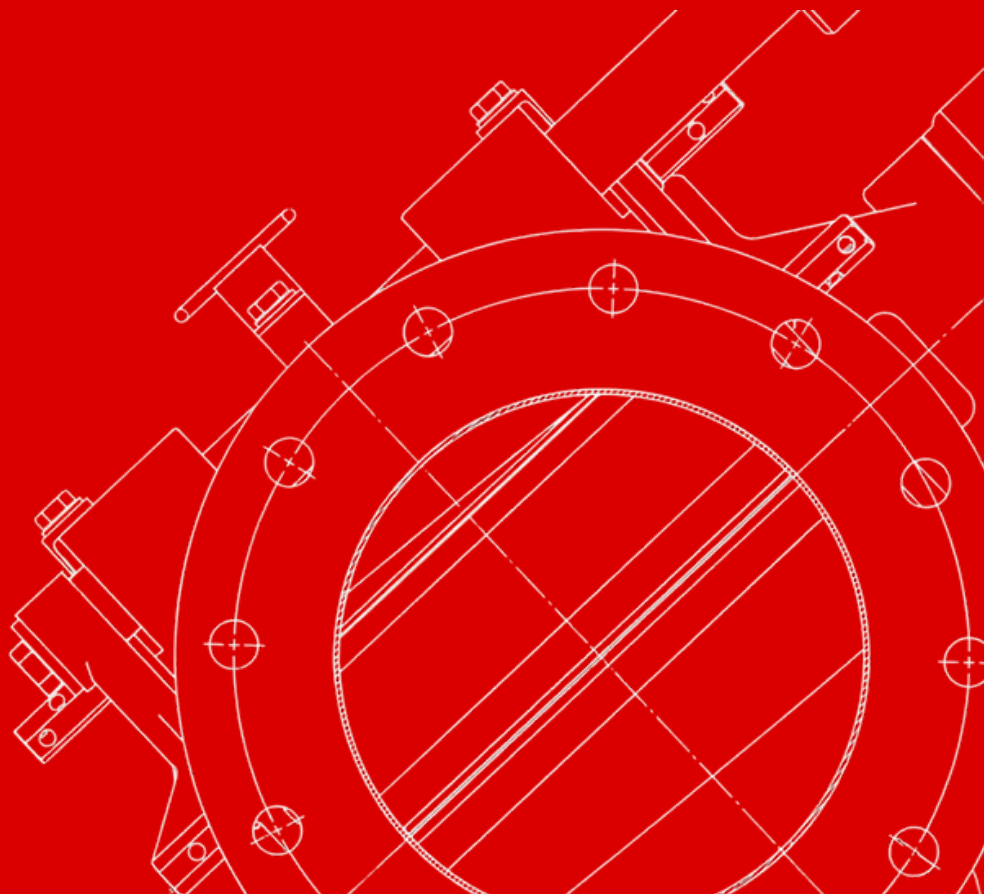


MANUFACTURING & QUALITY

- Advanced CNC machining infrastructure
- Optimized rotor and housing geometry
- Heavy-duty construction standards
- Wear-resistant material selection
- Enhanced sealing efficiency

POWERING INDUSTRIES FOR GENERATIONS

- **Cement Manufacturing**
- **Power & Thermal Plants**
- **Fertilizer & Chemical Industries**
- **Steel & Lime Production**
- **Mining & Mineral Processing**
- **Sugar & Ethanol Plants**
- **Ceramics & Glass**
- **Food & Pharmaceutical Processing**



OSWAR

rotocorp

Corporate Office

Jaipur, Rajasthan India
Nagpur, Maharashtra India

Sales Inquiries

info@oswarrotocorp.com

Helpline

+44 7917 128505 | +91 77422 36474

Copyright © 2026 OSWAR ROTOCORP. All Rights Reserved. OSWAR® is a registered trademark of **OSWAR ROTOCORP**. This brochure makes no offers, representations or warranties (express or implied), and information and data contained in this brochure are for general reference only and may change at any time.